

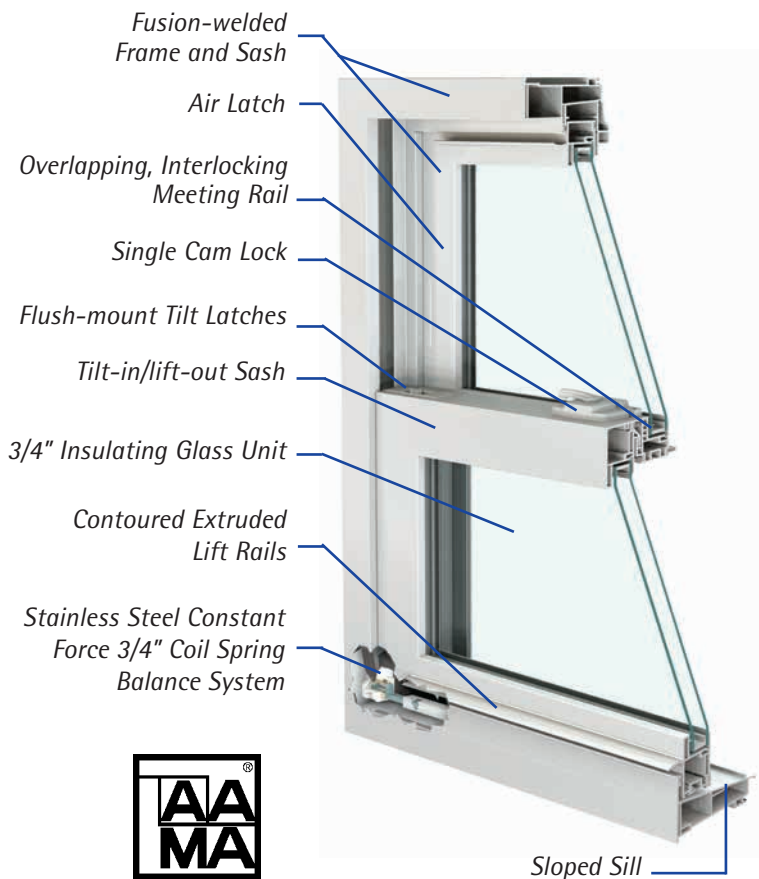
QUALITY FIRST Series

Quality First Series vinyl replacement windows enhance any room with their classic design, superb construction, maintenance-free operation, and solid energy efficiency performance. The 3/4" insulating glass is Low E and has a soft coat glass thermal barrier. This base level Silver window series uses a sloped sill and will enhance the beauty and performance of your home for years to come.



Enhance Your Point of View

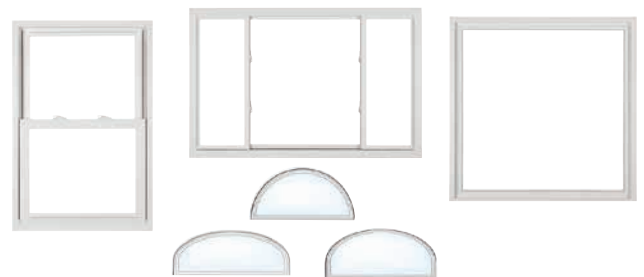
Strength that Performs



AAMA GOLD LABEL CERTIFICATION
Highest level of testing
for quality and performance

Styles to Fit Any Decor

Quality First Series windows are available in styles to fit any Decor. Select from Double Hung, 2-lite Slider, 3-lite Slider, Geometrics or Picture window and complement the ambience of every room.

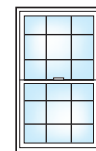


Colors and Grid Style Options

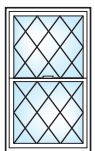


Shed some light on your home's unique character and decor with the our collection of grids.

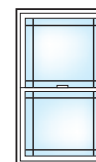
- **Colonial Grids**
Flat White or Tan, and Sculptured White or Tan
- **Diamond Grids**
Flat White or Tan
- **Prairie and Perimeter Grids**
Flat White or Tan, and Sculptured White or Tan
- All grids come in standard 5/8" width. Sculptured White and Tan also available in 1" width



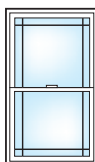
Colonial



Diamond



Prairie



Perimeter

Energy Star Windows and Patio Doors



Energy Star Windows/Patio doors:

- Use less energy
 - Save money
 - Help protect the environment
- Visit www.energystar.gov for more information on qualified windows/doors

Standard Features and Options

Quality First Series Vinyl Replacement Window: Clear Quality

OUTSTANDING PROTECTION

Double Lifetime Limited Warranty

- Lifetime Vinyl
- Lifetime Hardware
- Lifetime Insulating Glass Unit
- Lifetime Screen
- 20 Year Accidental Glass Breakage Coverage

PERFORMANCE

DP Rating:	48 x 80 - DP35
	44 x 63 - DP35
	36 x 74 - DP50
Certifications:	AAMA Gold (Air, Water, Structure, FER, Thermal)

GLASS

Standard Glazing:	LowE 2/Argon Filled
IG Thickness:	3/4"
Glass Pane:	Dual
Spacer Type:	Intercept (or Optional Supercept)
Glass Strength:	Single
Glass Options:	Tinted Bronze or Grey, Obscure, Tempered, Double Strength, 30/30 or Energy Star Glass Packages

FRAME

Frame Construction:	Fusion Welded
Frame Thickness,	
Outer Walls:	0.072
Frame Width	3-1/4"
Frame Profile:	Raised
Sill:	10-degree Integral Sloped
Weep System:	Tank System and Covered Weeps
Profile:	Multiple Chambered

SASH

Sash Construction:	Fusion Welded
Sash Thickness,	
Outer Walls:	0.072
Equal Lite:	Yes
Edges:	Squared
Interlocks (Meeting Rail):	Overlapping, Interlocking Full Interlock
Lift Rail:	Integral
Operation:	Tilt In/Lift Out

HARDWARE/ACCESSORIES

Tilt Latches:	Flush
Vent Latches:	Air Latch
Type of Lock:	Cam Action Lock
No. of Locks:	Two Standard ≥ 28 "
Balance System:	3/4" Stainless Steel Constant Force
Standard Screen:	Half Screen
Screen Option:	Full
Screen Cloth:	Fiberglass, Optional Aluminum
Screen Frame:	Rollformed Aluminum or Optional Extruded



**QUALITY
FIRST**

Windows • Doors • Patio Rooms

185 Glenwood Spring Ter • Eatonton, GA 31024

TEL #706-485-3003



EASY MAINTENANCE

Quality First Series Double Hung windows tilt in for easy cleaning, while our Slider windows feature lift out sash panels to help with window maintenance. What's more, the grids are between the glass allowing easy cleaning while providing a distinctive accent for your home. We make it easy!